



Simple is **More**



NO.289, Shenzhen East Road, Hualan Economic And Technical Development Zone, Jiangsu, China
江苏省淮安经济技术开发区 惠安路289号 邮编: 223001
T: +86-517-8989-7100 F: +86-517-8989-7071 E: kuztm@kthub.com

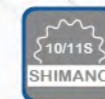
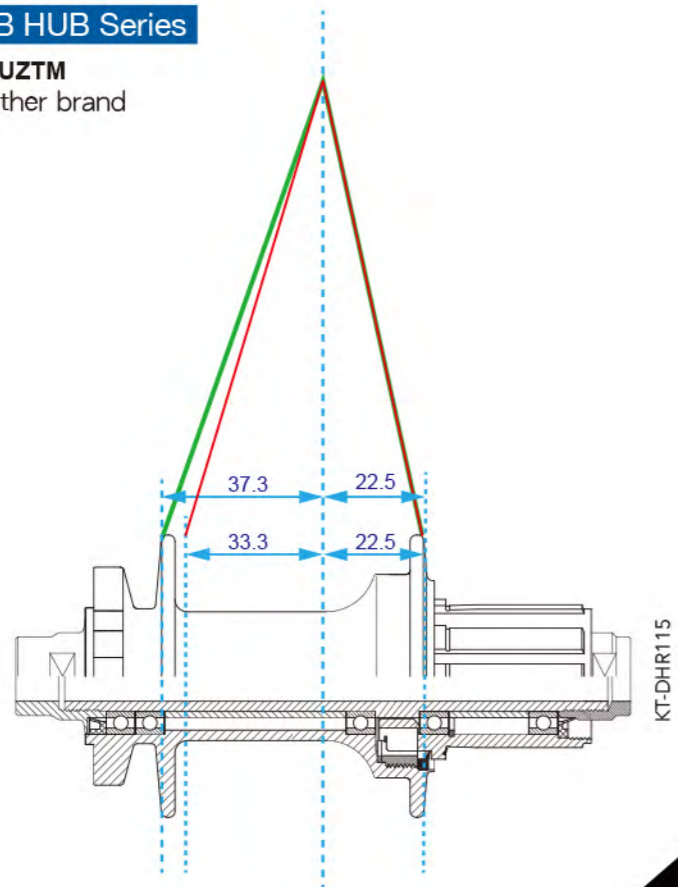
Ming Lun Sports (HuaiAn) Co., LTD
明倫運動器材(淮安)有限公司

P.C.223001

COLLECTION **2020**

MTB HUB Series

KUZTM
Other brand



Indicates compatibility with SHIMANO 11sp



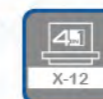
Center Lock version available



High Precision Aluminum 7075 axle in OD17mm



Indicates compatibility with SRAM XD 11sp



4 in 1 system allowing the conversion between standard QR 135x145 to 12x135 , 12x142 , 10x135



5 in 1 system allowing the conversion between standard QR to 20mm , 15mm , 12mm , 9mm



Indicates the significant design which provides durability for E-MTB



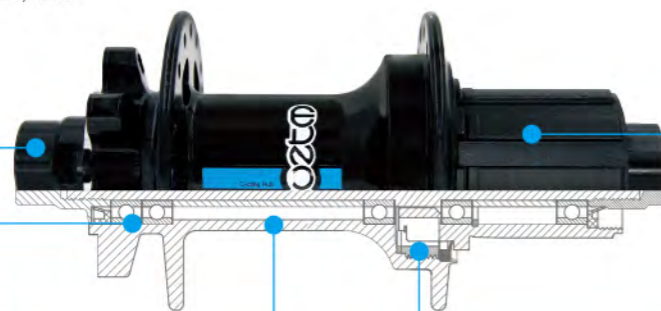
Premium cartridge sealed bearing optimize your hub and are the most durable



Reliable and high strength Alum. 3/5/6 pawls freewheel hub with individual springs



4 in 1 system allowing the conversion between standard QR 135x145 to 12x135 , 12x142 , 10x135



Indicates compatibility with SRAM XD 11sp



Premium cartridge sealed bearing optimize your hub and are the most durable



Reliable and high strength Alum. 5 pawls freewheel hub with individual springs



High Precision Aluminum 7075 axle in OD17mm

DHF112**Features** 15x110MM

1. 6061 Hub Shell
2. High Strengthening Axle
3. Premium Cartridge Oversized Sealed Bearing
4. Wider Flange Spacing
5. Wider Bearing Spacing
6. Weight : 197g

Option : Super Boost 20x110mm: DHF412**DHF222****Features** 15X100MM

1. 6061 Hub Shell
2. High Strengthening Axle
4. Wider High-Low Flange Spacing
5. Wider Bearing Spacing
7. 12mm Cap Available
6. Weight : 137g
7. 9mm / 12mm End Cap Available

**DHR115****Features** 12X148MM

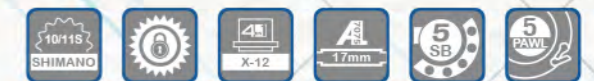
1. 6061 Hub Shell
2. OD17mm High Strengthening One-piece Axle
3. One-piece forged 7075 Cassette
4. Premium Cartridge Oversized Sealed Bearing
5. Wider Flange Spacing
6. Wider Bearing Spacing
7. Low-Drag Labyrinthine Seal on DS
8. 45 Tooth Drive Ring / 5 Individual Pawls and Springs
9. Weight : 320g

Option : Sram XD cassette available : DHR1X5 309g

AL-7075 one-piece forged cassette compatible w/SRAM XD 11sp, 5 pawls and 5 springs, Hard anodizing
Option : SHIMANO type available

DHR215**Features** 12x150MM

1. 6061 Hub Shell
2. OD17mm High Strengthening One-piece Axle
3. One-piece forged 7075 Cassette
4. Premium Cartridge Oversized Sealed Bearing
5. Extremely Wider Flange Spacing
6. Extremely Wider Bearing Spacing
7. Low-Drag Labyrinthine Seal on DS
8. 45 Tooth Drive Ring / 5 Individual Pawls and Springs
9. Compatible with 12x157mm
9. Weight : 327g

Option : Sram XD Cassette Available : DHR2X5 316g

CRF612(KT-XF1F)

Features 15X100MM

1. 6061 Hub Shell
2. High Strengthening Axle
3. Premium Cartridge Oversized Sealed Bearing
4. Wider High-Lo Flange Spacing
5. Wider Bearing Spacing
6. Weight : 169g

Option : 12mm available : CRF652



MSR114

Features 12x142MM

1. 6061 Hub Shell
2. OD17mm High Strengthening One-piece Axle
3. One-piece forged 7075 Cassette
4. 4PCS Premium Cartridge Oversized Sealed Bearing
5. Super Wider Flange Spacing
6. Wider Bearing Spacing
7. Low-Drag Labyrinthine Seal on DS
8. 45 Tooth Drive Ring / 5 Individual Pawls and Springs
9. Compatible with 12x142mm / 12x135mm / M10X135X145mm
9. Weight : 289g

Option : Center Lock Version : MSR1C4



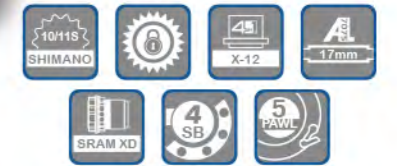
The Best Choice for Gates Belt System

DHR214

Features 12x142MM

1. 6061 Hub Shell
2. OD17mm High Strengthening One-piece Axle
3. One-piece forged 7075 Cassette
4. Premium Cartridge Oversized Sealed Bearing
5. Wider Flange Spacing
6. Wider Bearing Spacing
7. Low-Drag Labyrinthine Seal on DS
8. 45 Tooth Drive Ring / 5 Individual Pawls and Springs
9. Weight : 303g

Option : Sram XD Cassette Available : DHR2X4 295g



Converter axle kit for DHR214 (QR ID5.2X135X145)



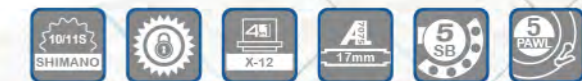
Converter axle kit for DHR214 (12X135MM)

DHR275

Features 12x150MM

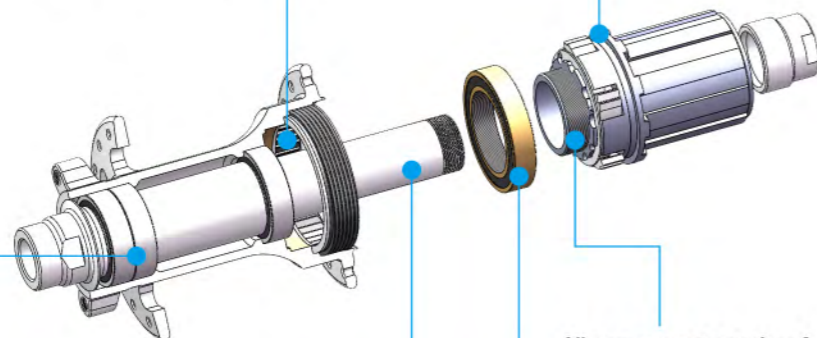
1. 6061 Hub Shell
2. OD17mm High Strengthening One-piece Axle
3. One-piece forged 7075 Cassette
4. Premium Cartridge Oversized Sealed Bearing
5. Super Wider Flange Spacing
6. Wider Bearing Spacing
7. Low-Drag Labyrinthine Seal on DS
8. 45 Tooth Drive Ring / 5 Individual Pawls and Springs
9. Compatible with 12x157
10. Weight : 327g

Option : Sram XD Cassette Available : DHR2X5 316g



Individual 5 pawls and 5 springs, two points of each pawls

Durable inner ratchet ring which transfers / disperse torque to hub shell more than 800Nm torque tested



All new concept one-piece forged 7075 cassette body

Oversized 19mm Alum-7075 axle as a stronger connection between hub shell and cassette body

Double sealed bearing loaded in disk side provides support to hub shell and flange

Oversized high premium cartridge sealed bearing 6805 to secure and hold cassette body to prevent it from any play or moving

DER115

Features 12X148MM

1. 6061 One-Piece Forged Hub Shell
2. High Strengthening One-piece 7075 Axle OD 17-19MM
3. Completed New One-piece forged 7075 Cassette
4. 6Pcs Premium Cartridge Oversized Sealed Bearing
5. Wider Flange Spacing
6. Wider Bearing Spacing
7. Low-Drag Labyrinthine Seal on DS
8. 45 Tooth Drive Ring / 5 Individual Pawls and Springs
9. Weight : 320g

Option :Sram XD Cassette Availab

le : KT-DHR1X5 309g



IT'S YOUR RIDING BY KUZTM



SPF322**Features**

1. 6061 Hub Shell
2. Premium Cartridge Sealed Bearing
4. Wider Flange Spacing
5. Wider Bearing Spacing
6. Weight : 78g

**FXF212****Features**

1. 6061 Hub Shell
2. Premium Cartridge Sealed Bearing
3. Narrow Flange Spacing For 12 Inch Rim
4. Optional End Cap Available in Size 74w / 90w / 95w / 100w
5. Spoke Hole Option : 10 / 12 / 14 / 16 / 20 H available
6. Weight : 75g

**SPF222****Features**

1. 6061 Hub Shell
2. High Strengthening Axle
3. Premium Cartridge Sealed Bearing
4. Wider Flange Spacing
5. Wider Bearing Spacing
6. Weight : 90g

**SPR224****Features**

1. 6061 Hub Shell
2. One-piece forged 7075 Cassette
3. Premium Cartridge Sealed Bearing
4. Wider Flange Spacing
5. Wider Bearing Spacing
6. Low-Drag Labyrinthine Seal on DS
7. 45 Tooth Drive Ring / 3 Individual Pawls and Springs
8. Two to one spoke lacing pattern available
9. Weight : 226g

Option : Campy Cassette Available : SPR2C4 265g



SPF412

Features

1. 6061 Hub Shell
2. High Strengthening Axle
3. Premium Cartridge Sealed Bearing
4. Wider Flange Spacing
5. Wider Bearing Spacing
6. Weight : 103g

**SPR414**

Features

1. 6061 Hub Shell
2. One-piece forged 7075 Cassette
3. Premium Cartridge Sealed Bearing
4. Low-Drag Labyrinthine Seal on DS
5. 45 Tooth Drive Ring / 3 Individual Pawls and Springs
6. Two to one spoke lacing pattern available
7. Weight : 247g

Option : Campy Cassette Available : SPR4C4 251g

**FIF112**

Features

1. 6061 Hub Shell
2. Cr-Mo 3/8 Axle
3. Premium Cartridge Sealed Bearing
4. Alum 7075 End cap
5. Wider Flange Spacing
6. Wider Bearing Spacing
7. Weight : 229 (without nut)

Option : Cr-Mo M9 axle available

**FIR112**

Features

1. 6061 Hub Shell
2. Cr-Mo 3/8 Axle
3. Premium Cartridge Sealed Bearing
4. Freewheel : L : Fixed Gear / R : BC 1.37X24T
5. Alum 7075 End cap
6. Wider Flange Spacing
7. Wider Bearing Spacing
8. Weight : 299 (without accessory)
9. Cog Option : 14 , 15 , 16 , 17 , 18T (1/8") with shim washer 1.0t and lock ring



CFR6L2

Features 15x100MM

1. 6061 Hub Shell
2. High Strengthened Axle
3. Premium Cartridge Sealed Bearing
4. Wider Flange Spacing
5. Wider Bearing Spacing
6. Weight : 156g

**CRR6L4**

Features 12x142MM

1. 6061 Hub Shell
2. One-piece forged 7075 Cassette
3. Premium Cartridge Sealed Bearing
4. Wider Flange Spacing
5. Wider Bearing Spacing
6. Low-Drag Labyrinthine Seal on DS
7. 45 Tooth Drive Ring / 3 Individual Pawls and Springs
8. Weight : 276g

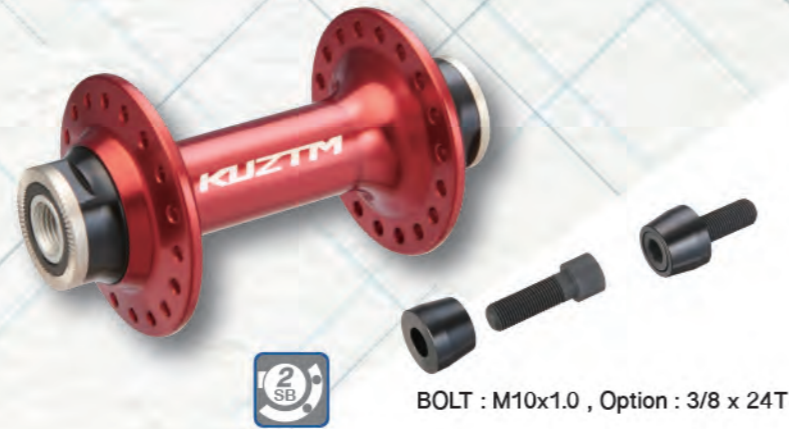


AL-7075 one-piece forged cassette compatible w/shimano & sram 11sp, 3 pawls and 3 springs, Hard anodizing



BXF112**Features**

1. 6061 Hub Shell
2. High Strengthening Axle
3. Premium Cartridge Sealed Bearing
4. Wider Flange Spacing
5. Wider Bearing Spacing
6. Weight : 218g



BOLT : M10x1.0 , Option : 3/8 x 24T

BXF202**Features** 20x110MM

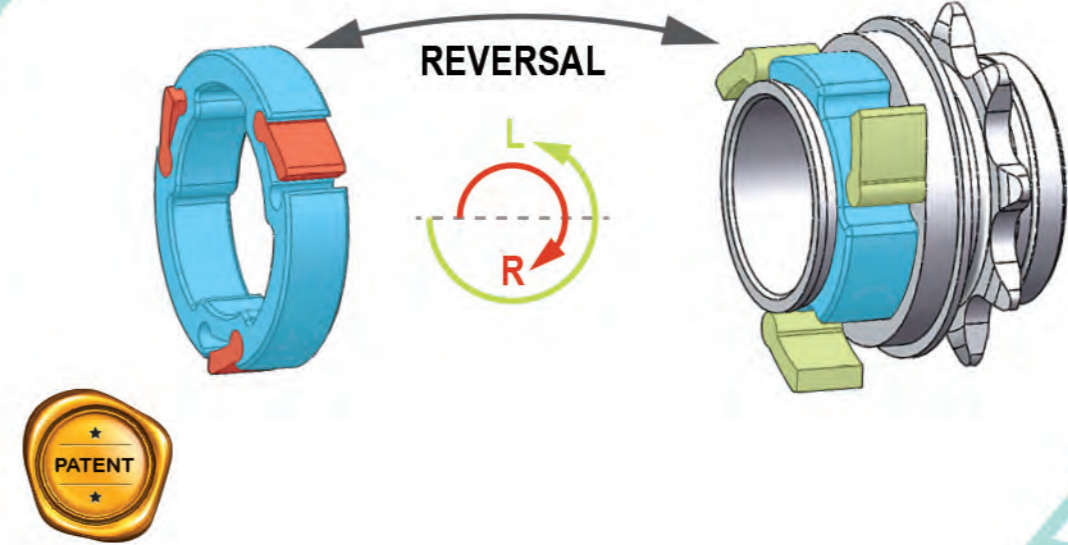
1. 6061 Hub Shell
2. High Strengthening Axle
3. Premium Cartridge Oversized Sealed Bearing
4. Wider Flange Spacing
5. Wider Bearing Spacing
6. Weight : 170

**BXR114****Features** 150T

1. 6061 Hub Shell
2. One-piece forged 7075 Cassette , 1sp
3. Premium Cartridge Sealed Bearing
4. Wider Flange Spacing
5. Wider Bearing Spacing
6. Low-Drag Labyrinthine Seal on DS
7. 75 Tooth Drive Ring / 6 Individual Pawls and Springs with 1/2 engaged
8. Weight : 289g

Option : Non-Disk Version : BXR214

Option:15mm Through Axle Version :BXR154

**REVERSAL****BMR214****Features**

1. 6061 Hub Shell
2. One-piece forged Cnc Machined 9T Driver , 1sp
3. Premium Cartridge Sealed Bearing X4pcs + 1PCS Needle Bearing
4. 24 Tooth Switchable Drive Ring / 3 Individual Pawls and Springs
5. Wider Bearing Spacing
6. LHD / RHD All In One
8. Weight : 566g

Option : Bolt Type with 3/8 Bolt : BMR114



KU501F 56g
KU501R 60g



KU502F 57g
KU502R 72g



KU12DR-SH
KU12DR-SR 44g



KU12AR-SH
KU12AR-SR 81g



KU12BR-SH
KU12BR-SR 64g



KU12CR-SH
KU12DR-SR 43g



MODEL	OLD	PITCH	B±1	THREAD LENGTH	WITH NUT	SYSTEM
ROAD	100	M12*P1.5	120	12	-	-
		M12*P1.5	121.5	13.5	-	SHIMANO
		M12*P1.5	125	16	-	SRAM
		M15*P1.5	125	16	-	SRAM
MTB	142	M12*P1.5	163.5	13.5	-	SHIMANO
		M12*P1.5	165	18	-	SHIMANO
		M12*P1.0	166	20	Y	SYNTACE
		M12*P1.0	166	20	-	DT SWISS
		M12*P1.75	167	20	-	SRAM
		M12*P1.5	170	18	Y	SHIMANO
		M12*P1.5	172	18	Y	SHIMANO
		M12*P1.75	174	20	-	SRAM
FAT BIKE	150	M15*P1.5	199	12	-	ROCKSHOX
		M12*P1.5	227	18	Y	SHIMANO
MTB	197	M12*P1.75	229	20	-	SRAM
		M14*P1.5	145	16	Y	FOX
MTB	100	M15*P1.5	150	20	-	SRAM